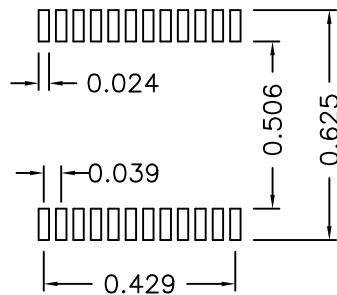
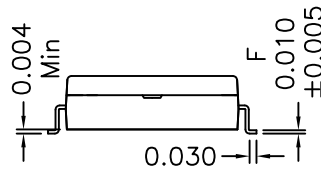
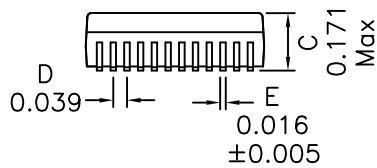
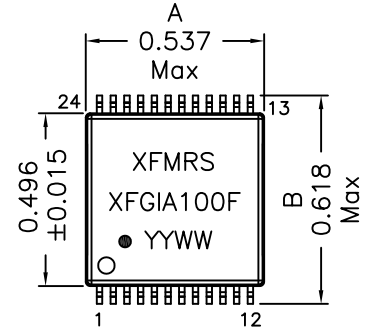


## 1. Mechanical Dimensions:



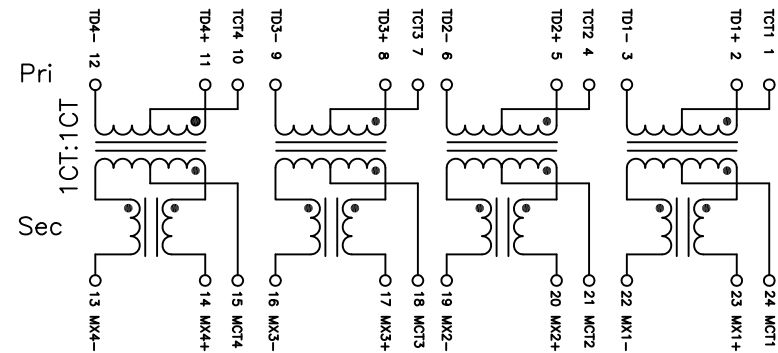
### SUGGESTED PAD LAYOUT

#### Notes:

1. Solderability: Leads shall meet MIL-STD-202G, Method 208H for solderability.
2. Flammability: UL94V-0
3. ASTM oxygen index: > 28%
4. Insulation System: Class F 155°C. UL file E151556
5. Operating Temperature Range: All listed parameters are to be within tolerance from -40°C to +85°C
6. Storage Temperature Range: -55°C to +125°C
7. Aqueous wash compatible
8. SMD Lead Coplanarity: ±0.004"(0.102mm)
9. Electrical and mechanical specifications 100% tested
10. RoHS Compliant Component
11. Recommended IR Reflow peak temp of 250C Max.

DOC. REV: B/3

## 2. Schematic:



## 3. Electrical Specifications: @25°C

Insertion Loss: -1.0dB Max 1MHz-100MHz

Return Loss: -18dB Min 1-30MHz

-15dB Min 40-50MHz

-12dB Min 60-80MHz

Cross Talk: -30dB Min 100KHz-100MHz

Pri OCL: 350uH Min @100KHz 0.1V 8mA

Pri DCR: 0.9 Ohms Max

Sec DCR: 1.5 Ohms Max

Turns Ratio: 1CT:1CT±3%

Hipot: 1500Vrms Pri to Sec

Q: 5 Min @10KHz 50mV

<b>XFMRS Inc</b> www.XFMRS.com		Title: 1000BASE-T Modules	
UNLESS OTHERWISE SPECIFIED TOLERANCES: .xxx ±0.010 Dimensions in Inch		P/N: XFGIA100F	REV. B
SHEET 1 OF 1		DWN. Yuan	Nov-19-13
		CHK. YK Liao	Nov-19-13
		APP. BJS	Nov-19-13